

A possible exploitation of marine resources in the Final Bronze Age Liguria: the layer F of the Chiavari necropolis

Barbara Barbaro – *Soprintendenza Archeologia, Belle Arti e Paesaggio per l'area metropolitana di Roma, la provincia di Viterbo e l'Etruria meridionale*

Nadia Campana - *Soprintendenza Archeologia, Belle Arti e Paesaggio per la città metropolitana di Genova e le province di La Spezia*

Paola Chella - *Direzione Regionale Musei della Liguria*

The stratigraphic sequence characterising the necropolis of Chiavari is well known, excavated by Nino Lamboglia between 1959 and 1969. Summing up briefly, the necropolis of the Iron Age is set on two distinct layers, G and F, corresponding to different periods of the Bronze Age. In particular layer F, which yielded thousands of pottery fragments (figs 1-4), has been the subject of discussion in the past, and has been interpreted by Nino Lamboglia as an artificial accumulation (cocciopesto) in order to install the necropolis on dry ground.

In more recent studies, the total absence of classes of materials typical of a settlement (millstones, spindles, fine ceramics, slag etc.), supported by the evidence that in Late Bronze Age, the period to which the findings should be attributed, the sea level was closer to the site, led to interpret the site as a landfall. During a recent review of the materials made by the Soprintendenza Archeologia della Liguria some novel interesting elements have arisen.

In particular it has been possible to identify for the first time some pottery classes that recall contexts recently discovered. These complexes, occupying the Middle Tyrrhenian coastal areas between Tuscany and Campania, are characterized by the presence of accumulations of a very large number fragments of jars, and they were related to specialized production settlements for the exploitation of marine resources, and among them the production of salt. Thus the possibility of salt extraction from sea water by boiling in pots is proposed. If the site of Chiavari fell into this type of settlement, it would be the first case in Liguria, and so far it represents the most northern Tyrrhenian area, expanding the scale of the phenomenon of coastal salt production, to a wider territorial framework.

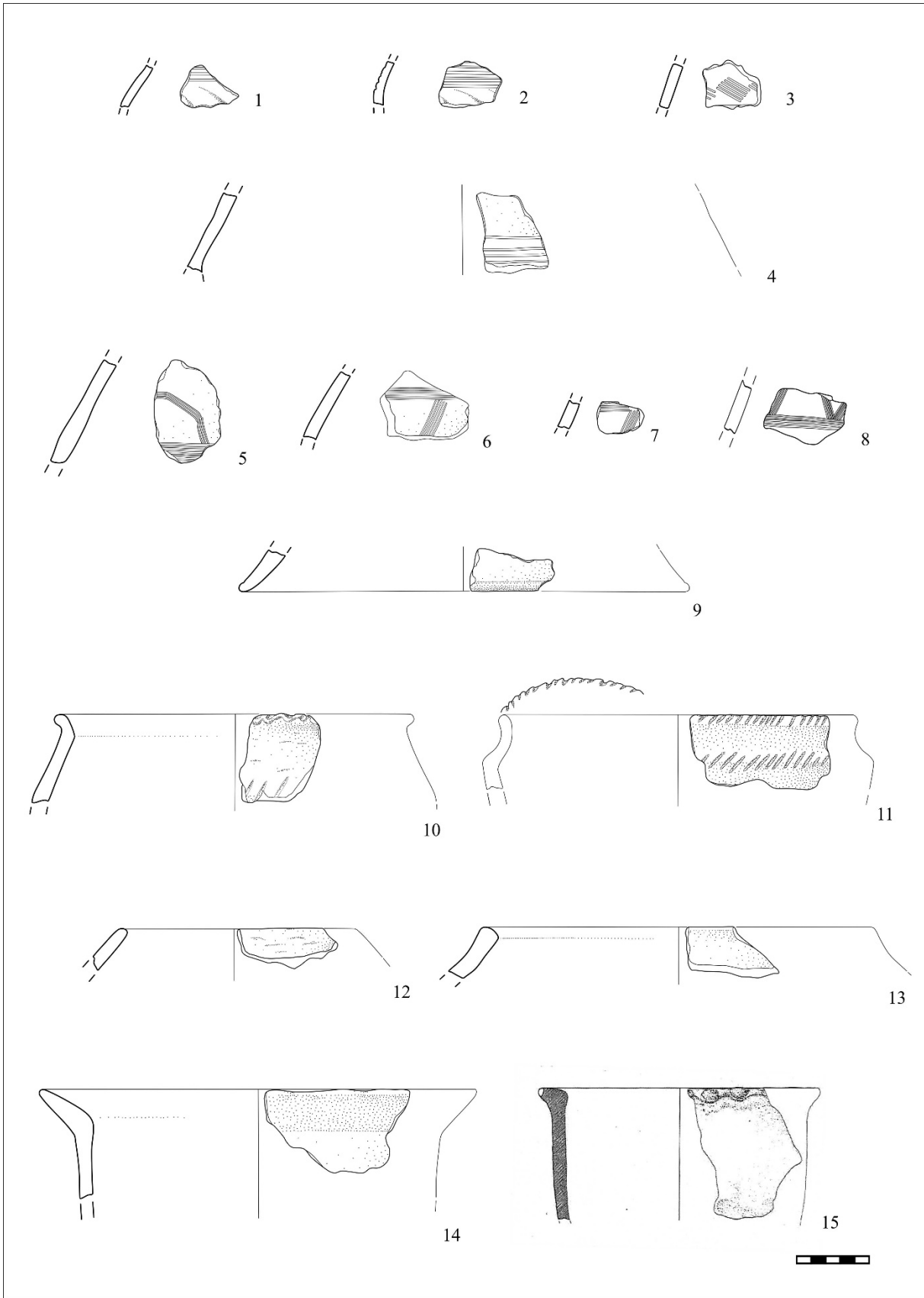


Figure 1

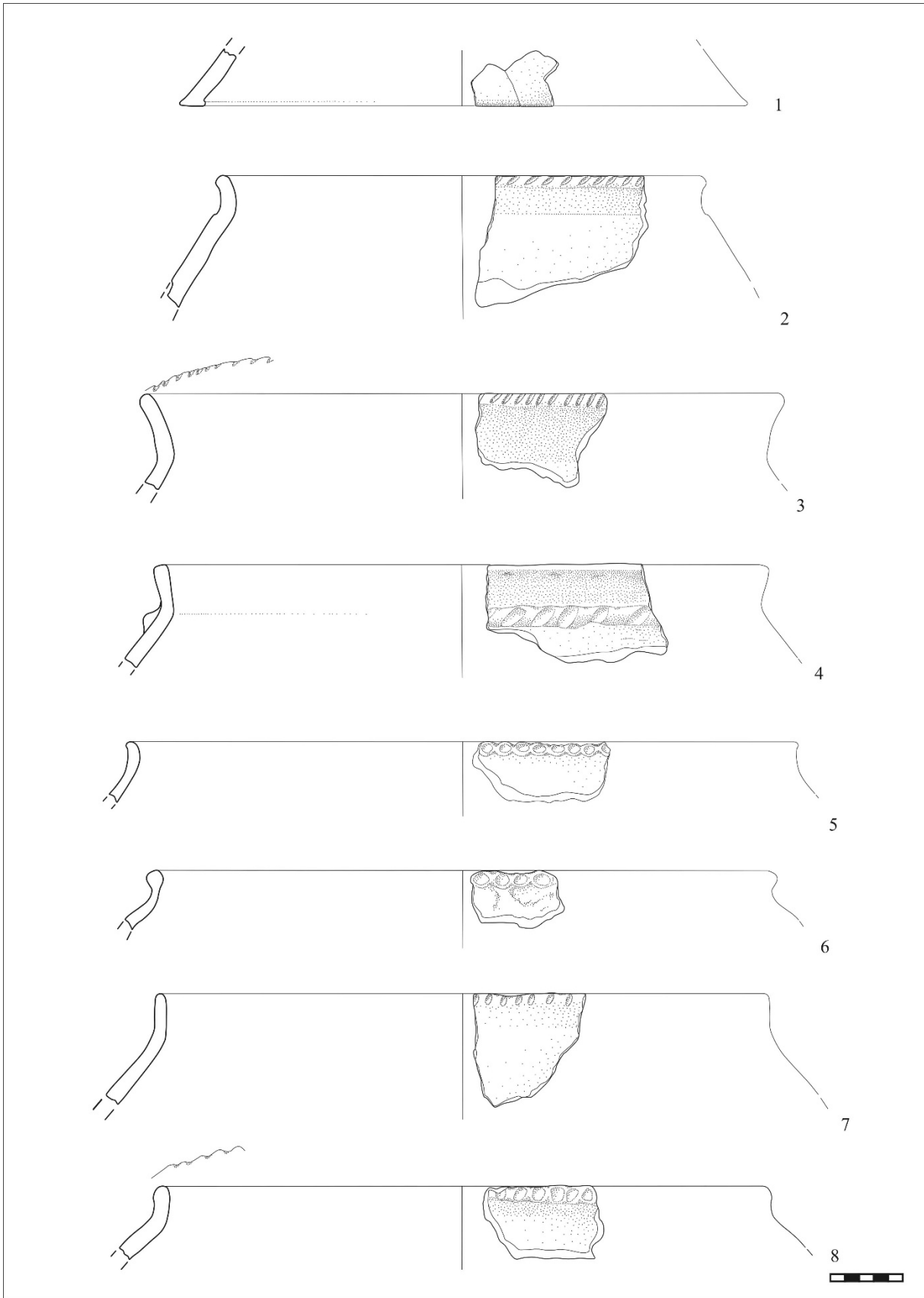


Figure2

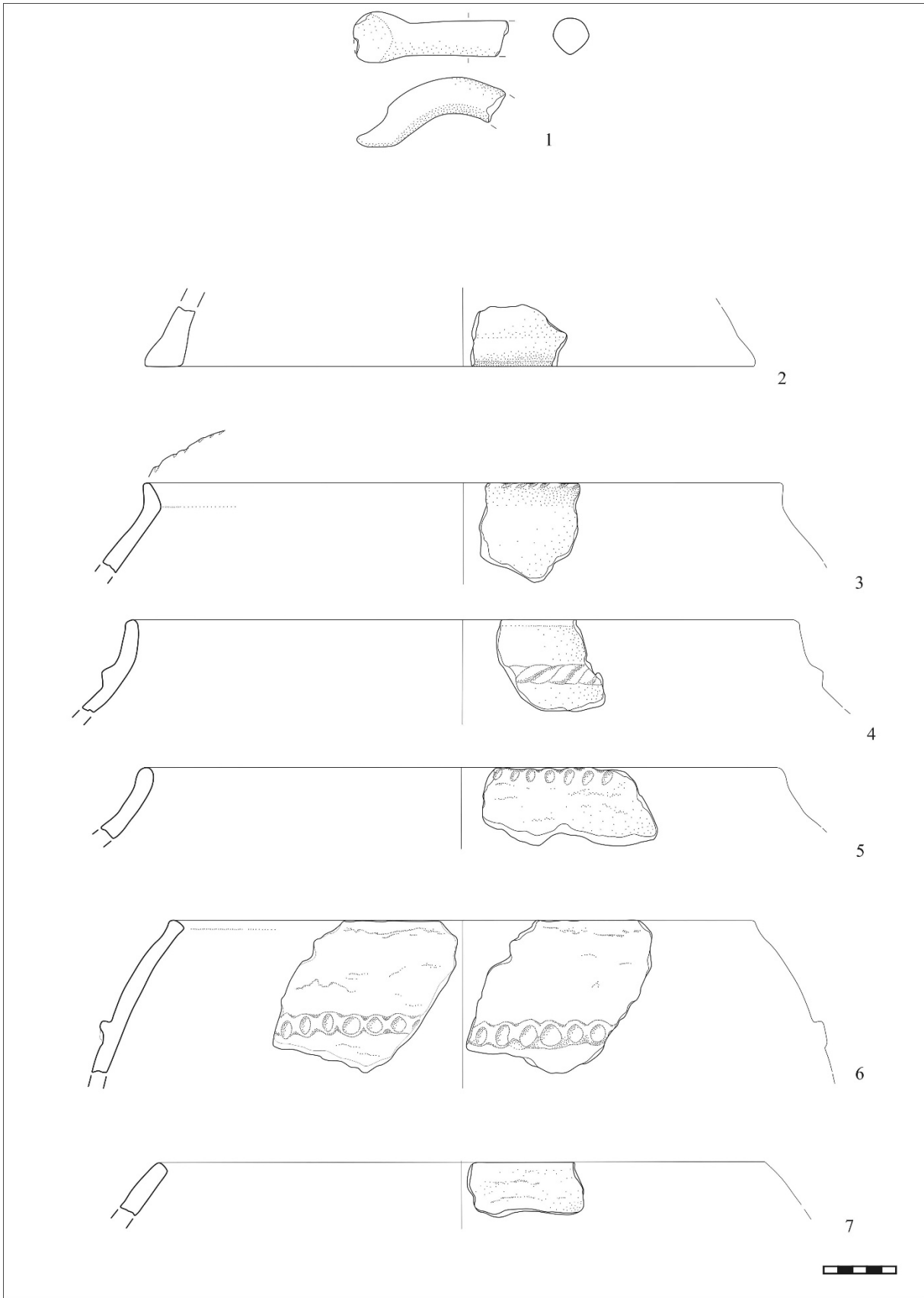


Figure 3

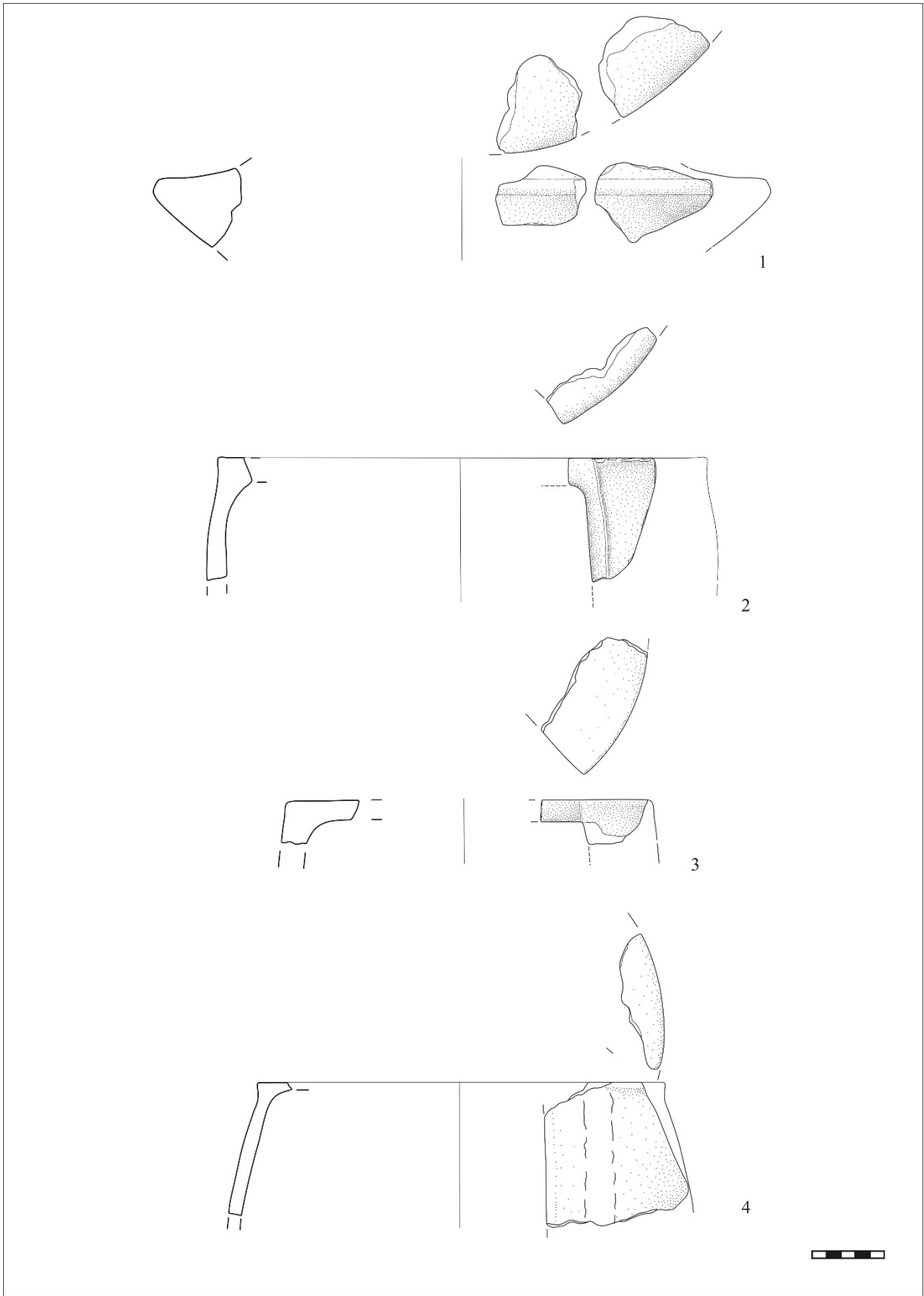


Figure 4